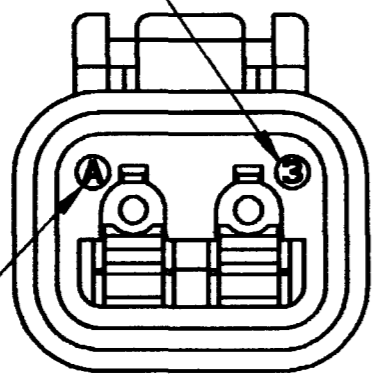


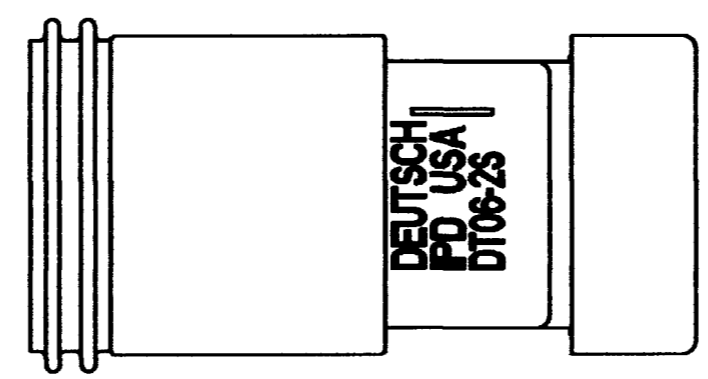
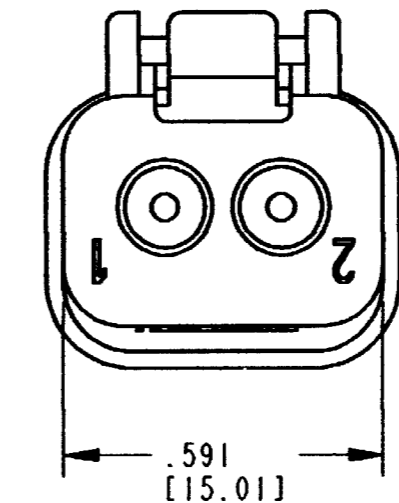
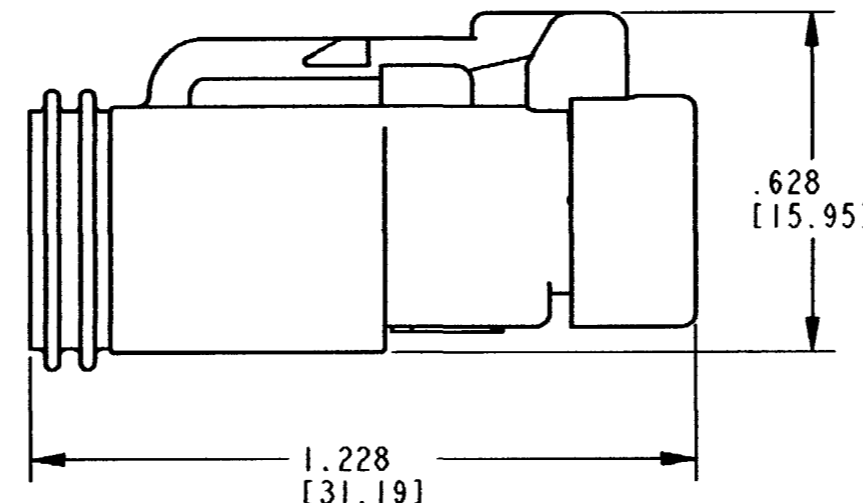
REV  
E DT06-2S-E003

REVISIONS			
SYM	DESCRIPTION	DATE	APPROVED
B	REVISED PER E.O. A09335	9/10/90	J.A.
C	REVISED PER E.O. A14912	11/9/95	R.D.R.
D	REVISED PER E.O. P18199	6/30/03	R.D.R.
E	REVISED PER E.O. P19545	6-12-07	RDR

DATE CODE  
YEAR IS REPRESENTED BY LAST NUMERICAL DIGIT.  
EX. 3 = 2003



DATE CODE  
MONTH REPRESENTED BY SEQUENTIAL ALPHA CHARACTERS  
EX. A = JANUARY



CONTACT SIZE	MIN. INSUL. O.D.	MAX. INSUL. O.D.	WIRE RANGE [mm <sup>2</sup> ] REF ONLY
16	.088 [2.24]	.145 [3.68]	14-20 AWG [2.0-0.5]

- 5. MATERIAL: SHELL: PLASTIC; COLOR: GRAY  
SEAL: RUBBER.
- 4. THIS PLUG MATES WITH THE DT04-2P-\*\*\*\* RECEPTACLE.  
(\*\*\*\* = ALL MODIFICATIONS) CONSULT FACTORY FOR MODIFICATIONS.

3. FOR CONTACTS AND WIRE PERFORMANCE AND CHARACTERISTICS, SEE ENVELOPE DRAWINGS 0425-015-0000 AND 0425-017-0000.

2. ALL DIMENSIONS ARE ±.025[.64] UNLESS OTHERWISE SPECIFIED.

NOTES: 1. ALL DIMENSIONS ARE INCHES [MILLIMETERS].

SIGNATURE & DATE	
DR	X. SANCHEZ 06 JUN 03
CHK	R. Manera 6/7/07
PE	R. Manera 5/22/07
APPD	S. Blair 5-22-07
SCALE	NONE WT

2 WAY PLUG  
-E003 MOD.  
DT SERIES

ENVELOPE

EP	MATL. CODE
<b>The Deutsch Company</b> DEUTSCH I.P.D. 3850 INDUSTRIAL AVE. HEMET, CALIF. 92545	
<b>B</b>	<b>DT06-2S-E003</b>
DWG SIZE	CODE 11139 SHEET 1 OF 1